

P150

Heating Area
38" X 39"



Regulator

- Adjustable regulator to control the temperature of the heater.
- C.S.A. & C.G.A. approved propane regulator



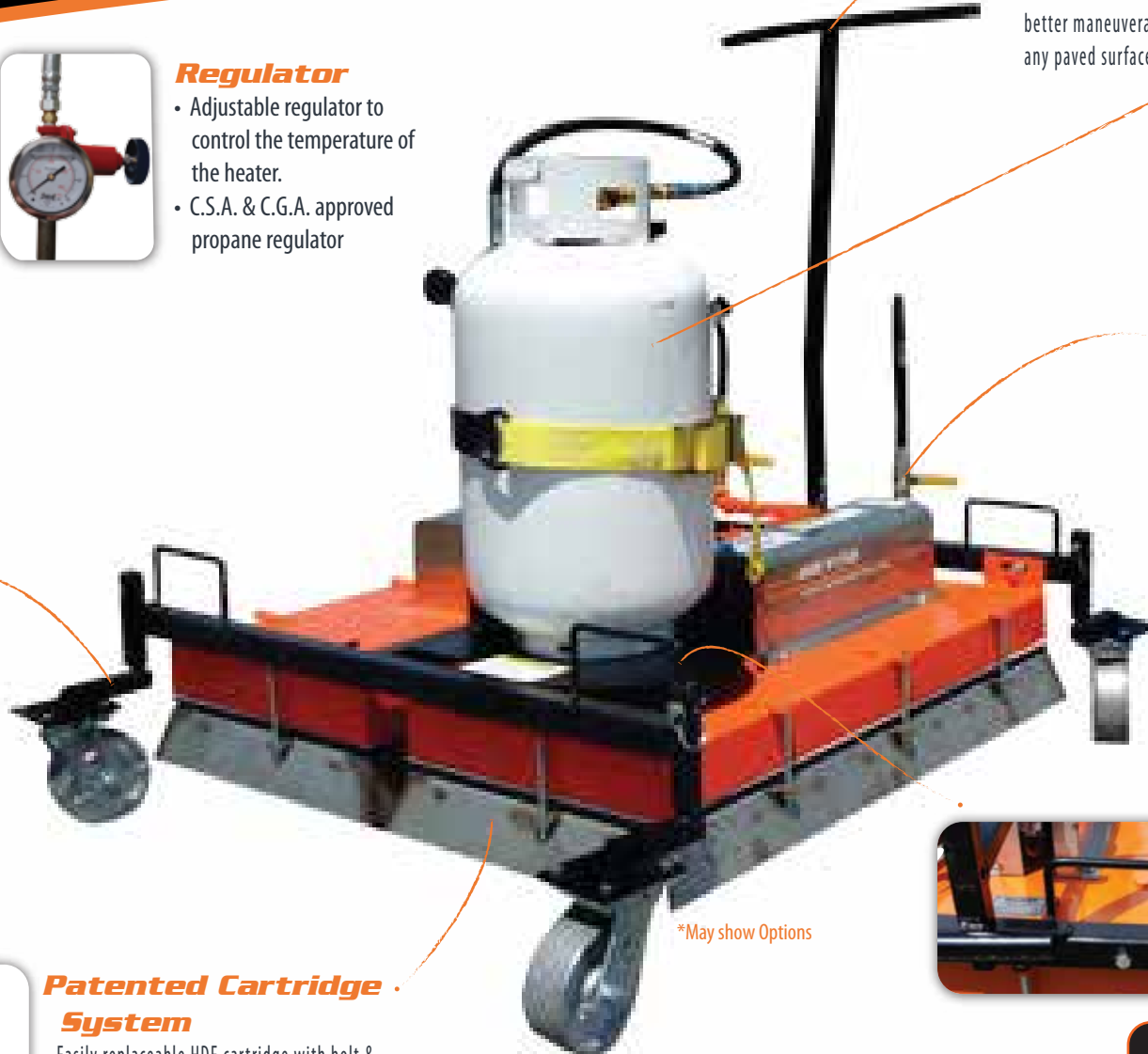
Casters

- Heavy duty cast iron caster with grease fitting.
- Two wheels are equipped with roll lock brake kits.
- Wheels can rotate from front to side to maneuver around objects.



Patented Cartridge System

- Easily replaceable HDE cartridge with bolt & nut attachment.
- Typical cartridge life is approximately 1500 hours.



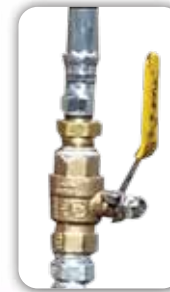
*May show Options

T Handle

- Removable T handle for better maneuverability on any paved surface.

Propane Tank

- Operates of one 30LB LPG tank
- Tank is secured by a 2" heavy duty nylon strap



Valves & Fittings

- C.S.A. approved valves
- C.S.A. approved type III propane hose



Lifting Handles

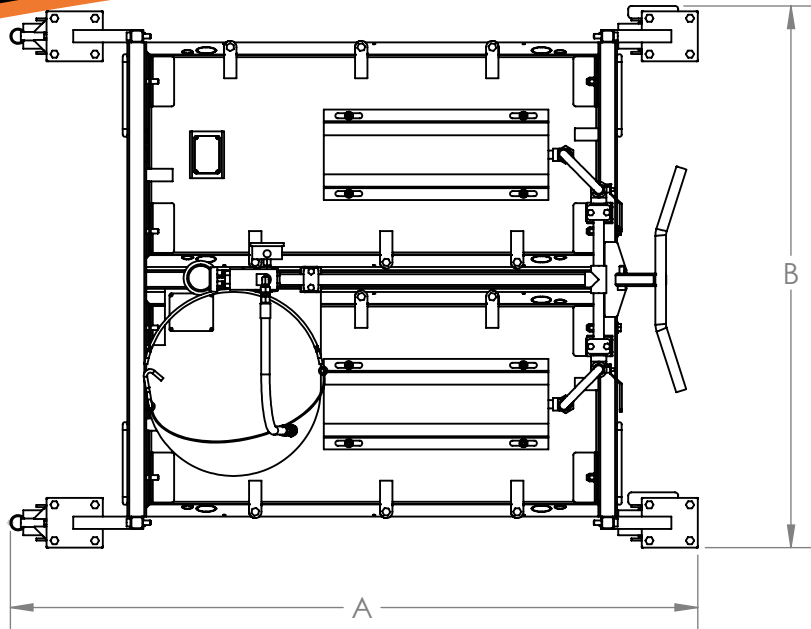
- Lifting handles for lifting onto a truck or trailer.

**HEAT DESIGN
EQUIPMENT
INC.**

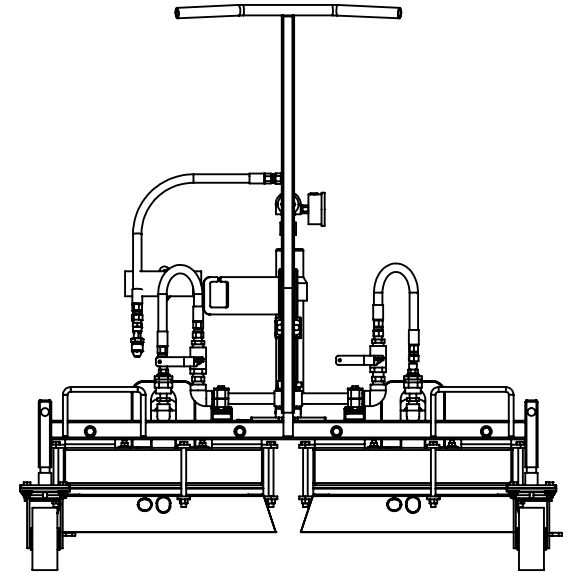
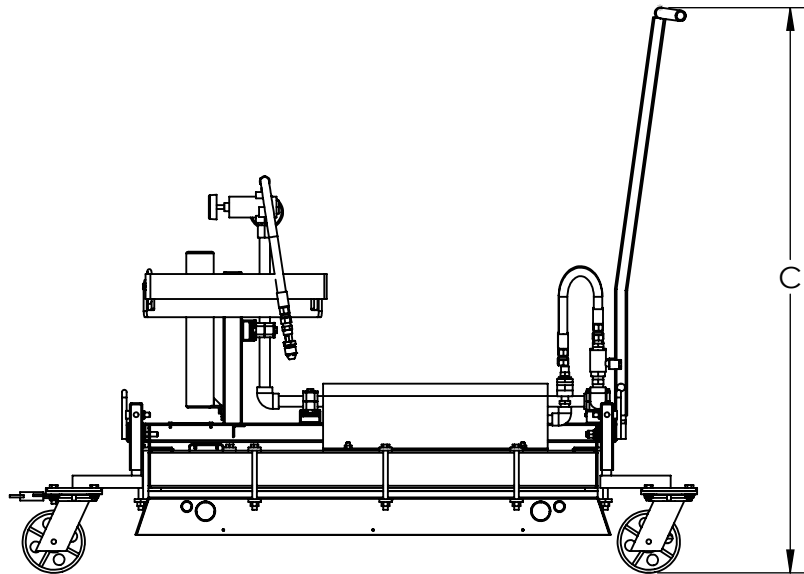
The Infrared People

P150

Heating Area
38" X 39"



LETTER	DESCRIPTION	DIMENSION
A	OVERALL LENGTH	55-1/8"
B	OVERALL WIDTH	43-1/2"
C	OVERALL HEIGHT	45-3/8"



**HEAT DESIGN
EQUIPMENT
INC.**
The Infrared People